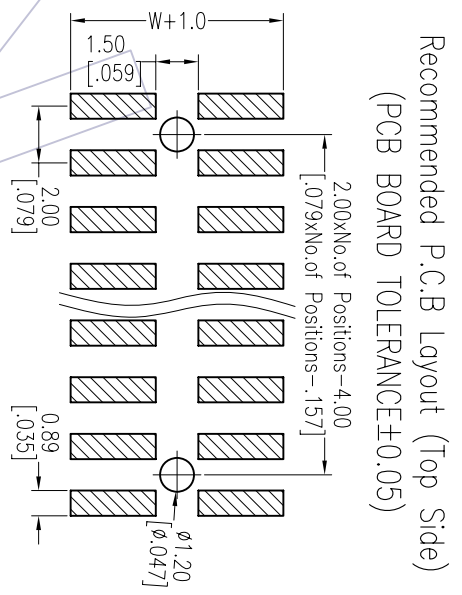
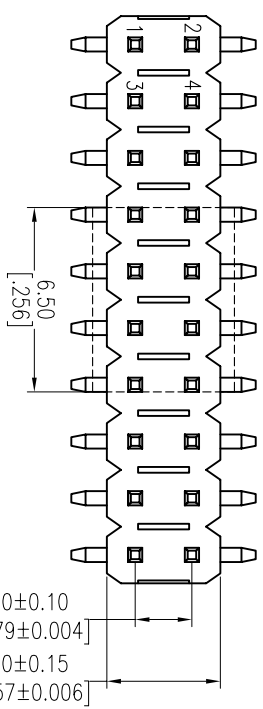


HSF

NOTES:

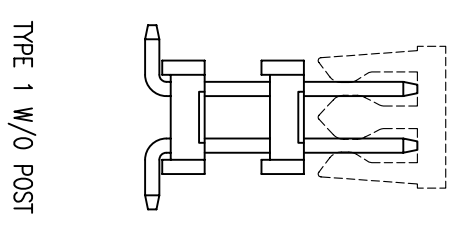
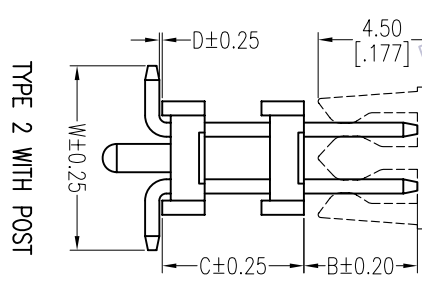
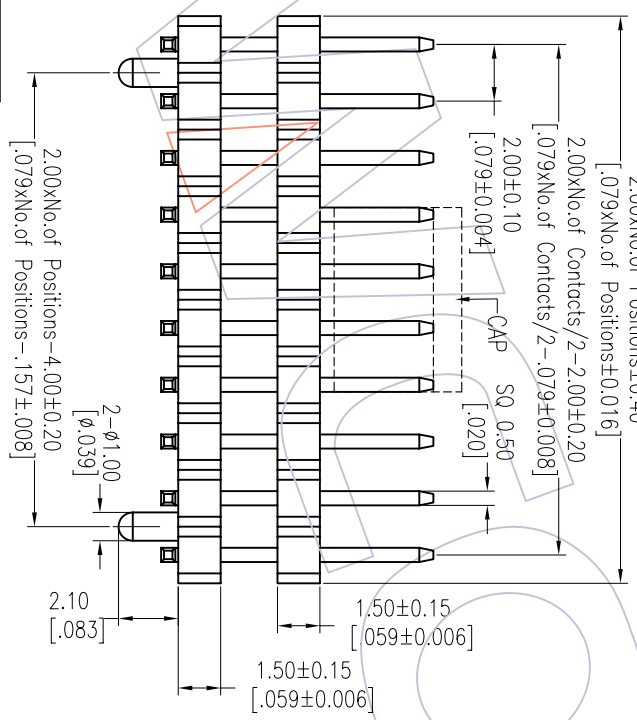
- Rated Current: 2.0AMP.
- Contact Resistance: 20mΩ Max.
- Withstand Voltage: 500V AC/DC
- Insulation Resistance: 1000MΩ Min.
- Operation Temperature: -40°C to +105°C
- Contact Material: Brass
- Contact Plating: Au or Sn Over Ni
- Insulator Material: PA9T+30%G.F UL94V-0 BK



Ordering Information

1215-22 XX XX M XXX X X

- No. of Pins
- Contact Plating
- Pin Length
- Standard
- Series No.
- Packing



Item	Pin Length	W	D	B	C	Mating
Standard	---	6.50	0.10	4.00	---	2240 2243 2263 2272
Alternate						

REV	DATE	MODIFICATION DESCRIPTION	CHANGE	OPERATION	DRAW	DATE	SCALE	PART NO.	TITLE:	Customer NO.	WCON-Dongguan	WCON-Kunshan
A0	2012/04/18	NEW	---	X.XX ±0.40	<i>William Diao</i>	2012.04.18	mm	1215-22XXXXMXXXXX	PH2.00 DUAL ROW DOUBLE PLASTIC SMT H=1.5		Tel: +86 769 85358920	Tel: +86 512 57468408
REV	DATE	MODIFICATION DESCRIPTION	CHANGE	X.XXX ±0.15	CHECK	DATE	UNIT				Fax: +86 769 85358915	Fax: +86 512 57468468
				Angle ± 3°	APPROVE	DATE	SIZE				E-mail: sales@wcon.com	E-mail: sales@wcon.com
				DIM TOL	PROJ.		SHEET					
							1/1					

WCON

Http: www.wcon.com
WCON-Dongguan
WCON-Kunshan
Tel: +86 769 85358920
Tel: +86 512 57468408
Fax: +86 769 85358915
Fax: +86 512 57468468
E-mail: sales@wcon.com
E-mail: sales@wcon.com