

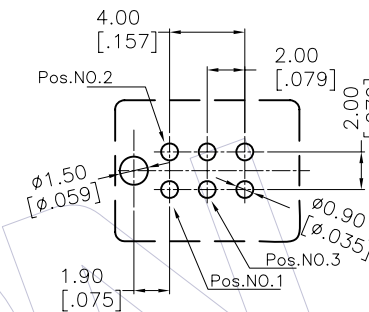
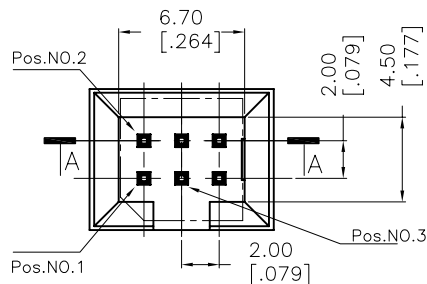
HSF

NOTES:

Current Rating:3.0AMP
 Contact Resistance:30milliohm Max
 Withstand Voltage:500V AC
 Insulation Resistance:1000Megohm Min
 Operation Temperature:-40°C to +105°C

Housing Material:PPA(UL94V-0)
 Contact Material:Brass
 Contact plating:Au over Ni Plating

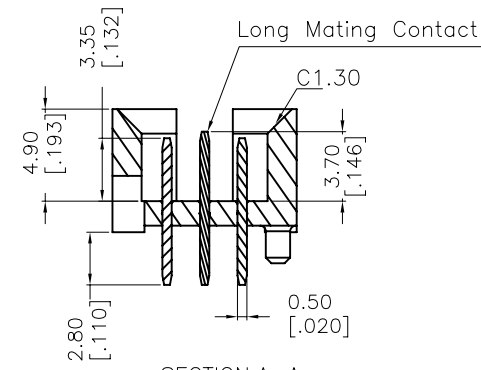
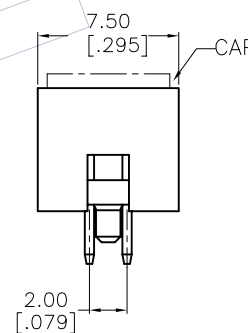
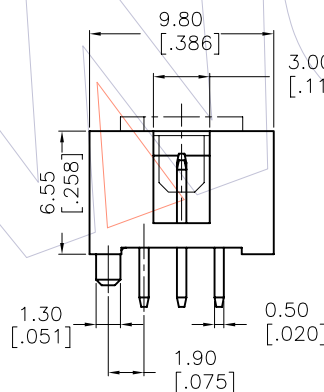
RECOMMENDED PCB LAYOUT
 TOLERANCE IS ±0.05



Ordering Information

3126 - 06 S XX B K00 R 1

- No.of Pins per Row: 06
- Contact Plating: G0=Gold Flash, G1=3u"Gold, G2=5u"Gold, G3=10u"Gold, G4=15u"Gold, G5=30u"Gold, G6=20u"Gold, S0=Gold Flash/Tin, S1=3u"Gold/Tin, S2=5u"Gold/Tin, S3=10u"Gold/Tin, S4=15u"Gold/Tin, S5=30u"Gold/Tin, S6=20u"Gold/Tin, SN=Tin
- Insulator Color: B:Black
- None Of Pin: K00:Full pin
- Packing: R=Tape & Reel



OPERATION		DRAW		DATE		SCALE		PART NO.	
X.X	±0.40	LKP		2012.07.20	1:1	3126-06SXXBK00R1		WCON Http: www.wcon.com WCON-Dongguan Tel: +86 769 85358920 WCON-Kunshan Tel: +86 512 57468408 Fax: +86 769 85358915 Fax: +86 512 57468468 E-mail: sales@wcon.com E-mail: salesks@wcon.com	
X.XX	±0.25	CHECK		DATE	UNIT	TITLE:			
X.XXX	±0.15			DATE	mm in	2.0 BOX XXP S/T H=6.55			
Angle	± 3'	APPROVE		DATE	SIZE	Customer NO.			
DIM	TOL				A4				
REV	DATE	MODIFICATION DESCRIPTION	CHANGE		SHEET				
					1/1				
					PROJ.				

WCON
 Http: www.wcon.com
 WCON-Dongguan Tel: +86 769 85358920
 WCON-Kunshan Tel: +86 512 57468408
 Fax: +86 769 85358915 Fax: +86 512 57468468
 E-mail: sales@wcon.com E-mail: salesks@wcon.com